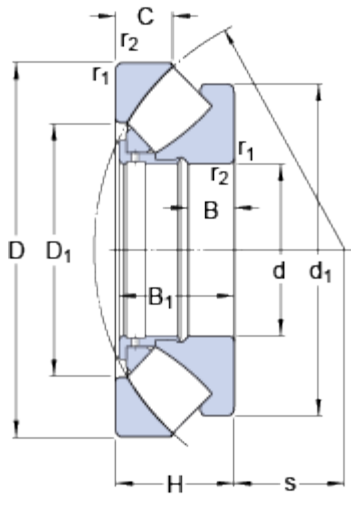




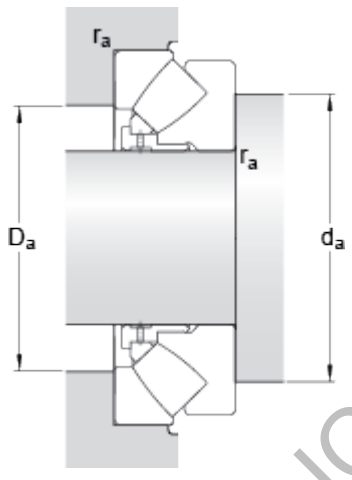
# 29252

## Dimensions



d	260	mm
D	360	mm
H	60	mm
d <sub>1</sub>	≈ 350	mm
D <sub>1</sub>	≈ 302	mm
B	19	mm
B <sub>1</sub>	57	mm
C	30	mm
s	139	mm
r <sub>1,2</sub>	min. 2.1	mm

## Abutment dimensions



d <sub>a</sub>	min. 310	mm
D <sub>a</sub>	max. 326	mm
r <sub>a</sub>	max. 2	mm

## Calculation data

Basic dynamic load rating	C	817	kN
Basic static load rating	C <sub>0</sub>	3650	kN
Fatigue load limit	P <sub>u</sub>	345	kN
Reference speed		1100	r/min
Limiting speed		1700	r/min
Minimum axial load factor	A	1.3	

## Mass

Mass bearing		18.5	kg
--------------	--	------	----